



A commercially feasible table with design integrity suitable for residential or commercial applications.

Materials

Our standard material for the table top is 21 mm Beech throughout plywood.

For contract orders we can offer the Canteen Table in any size and in a variety of alternative materials. Such as Linoleum faced Plywood / Solid Wood / Colored MDF.

The gravity die-cast aluminium leg fixes directly to the tabletop eliminating the need for a bracing system



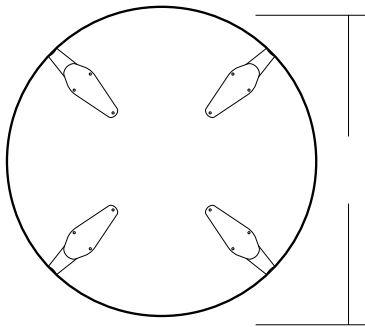
Clockwise from top left:
Mechanical fixings onto lacquered black MDF top
Casting detail / fixing plate
Casting detail / foot
Set of 4



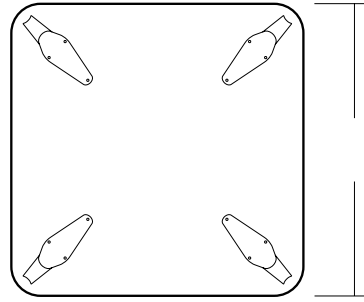
Custom Finish / Size

For contract orders the Canteen Table can be produced to your specification in both size and material / finish.

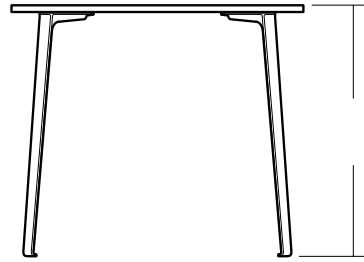
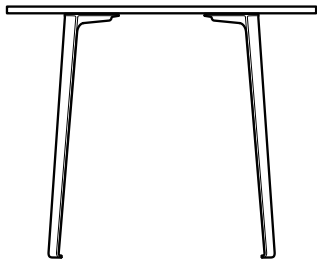
Custom jobs priced on request.



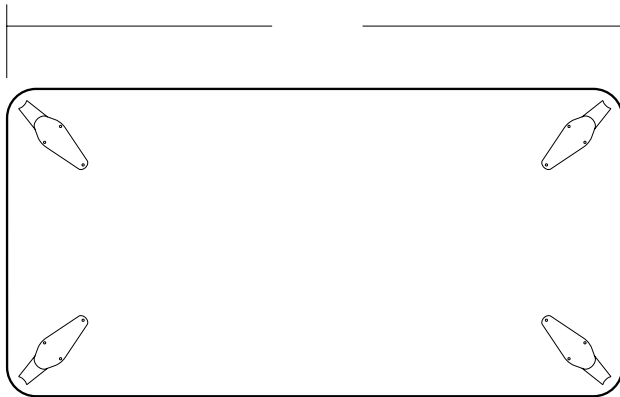
700ø mm (3 legs)
900ø mm
1100ø mm
Custom available



650x650 mm
850x850 mm
Custom available



730mm



1800x900 mm
2500x900 mm
Custom available



730mm

Technical

Weight leg each / 1 Kg

Beech plywood thickness/ 21 mm

Min Recommended Material thickness / 18 mm

Shipping

4 legs per Box

Box size / 30 x 11 x 85 cm

Box Weight / 5 kg

Standard Leg Colours

Grey White

RAL 9002

Jet Black

RAL 9005

Mint Turquoise

RAL 6033

Telemagenta

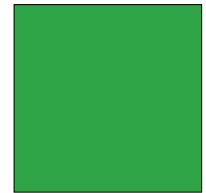
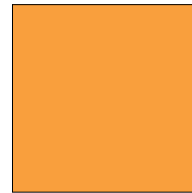
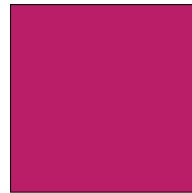
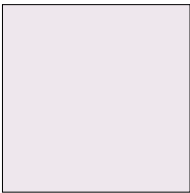
RAL 4010

Melon Yellow

RAL 1028

Yellow Green

RAL 6018



Standard Table Finish

Beech

Satin Lacquered



Custom Finishes

Leg / Top

To customer specification for contract orders



